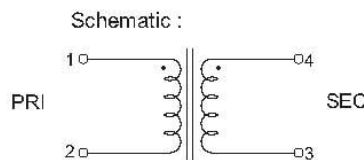
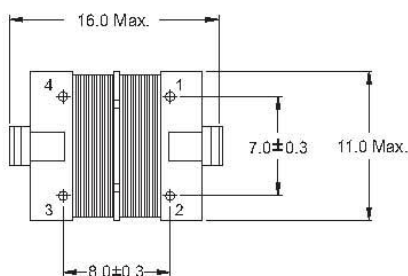
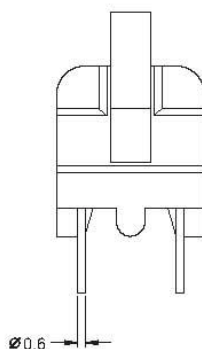
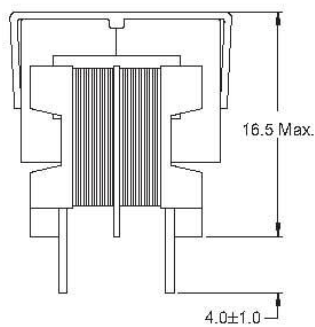
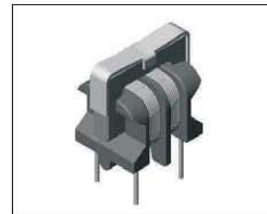


# 滤波器 (Line Filter)

EMI Common-Mode Suppression Inductors

型号 (Type): YZPSTLFU09V

机械尺寸 (Mechanical Dimension): 单位 (Unit): mm



## 电气特性 (Electrical Characteristics) :

AT 25°C, 40KHz/1V Tested:

PART NUMBER	INDUCTANCE (mH)	DCR (Ω) MAX	RATED CURRENT (Aac)	TEMPERATURE RISE (°C) MAX
YZPSTLFU09V01	43.2	14.5	0.1	45
YZPSTLFU09V02	14.4	5.42	0.2	45
YZPSTLFU09V03	7.2	2.47	0.3	45
YZPSTLFU09V04	4.3	1.47	0.4	45
YZPSTLFU09V05	3.3	1.16	0.5	45
YZPSTLFU09V06	1.8	0.67	0.6	45
YZPSTLFU09V07	1.4	0.5	0.7	45
YZPSTLFU09V08	1.2	0.37	0.8	45
YZPSTLFU09V09	0.9	0.31	0.9	45
YZPSTLFU09V10	0.7	0.26	1	45

\*WITHSTANDING VOLTAGE BETWEEN L1&L2 1.5KV 1MINUTE

\*GOOD DIFFERENCE IN WINDING L1&L2 INDUCTANCE